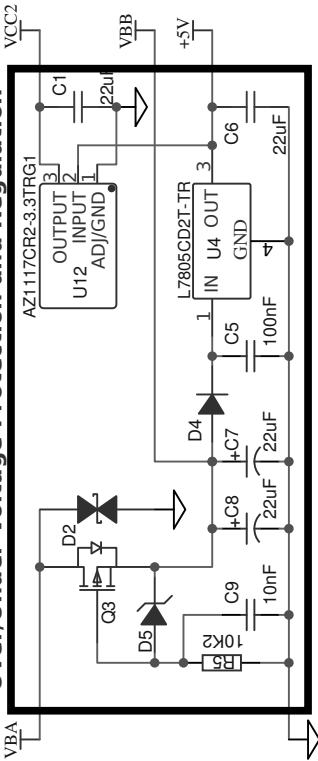
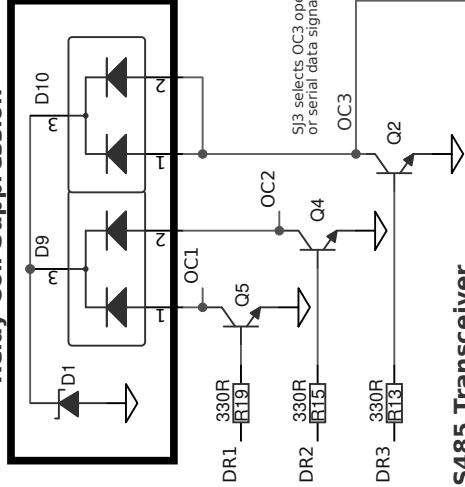


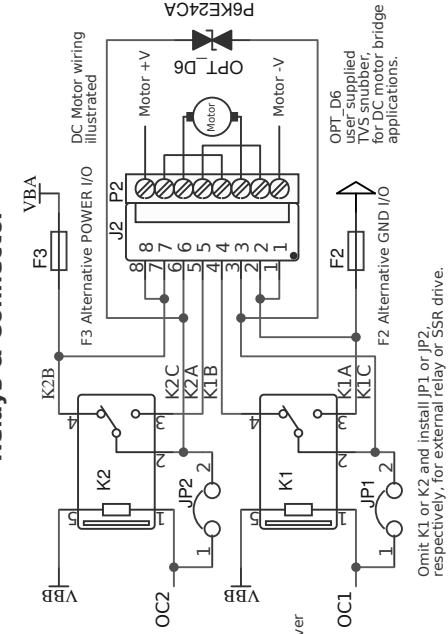
Over/Under Voltage Protection and Regulation



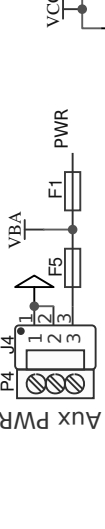
Relay Coil Suppression



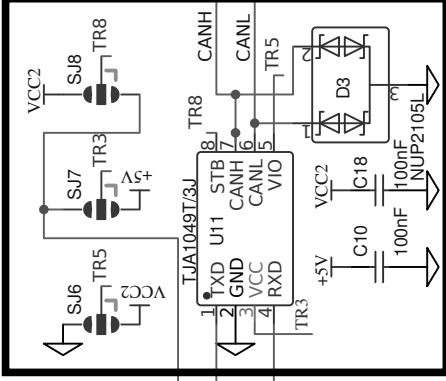
Relays & Connector



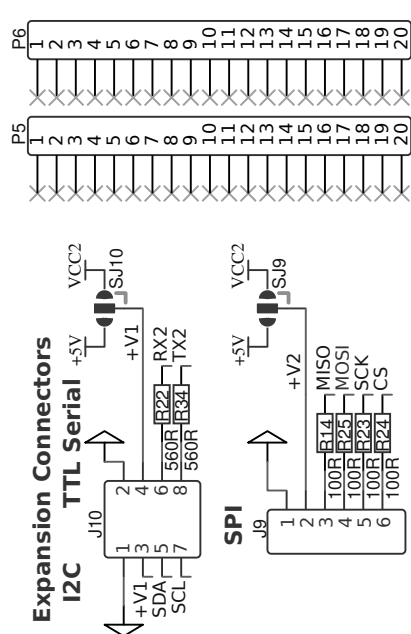
Auxiliary Power Input or Output



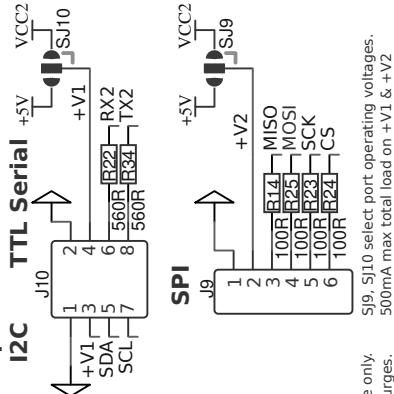
CAN/RS485 Transceiver



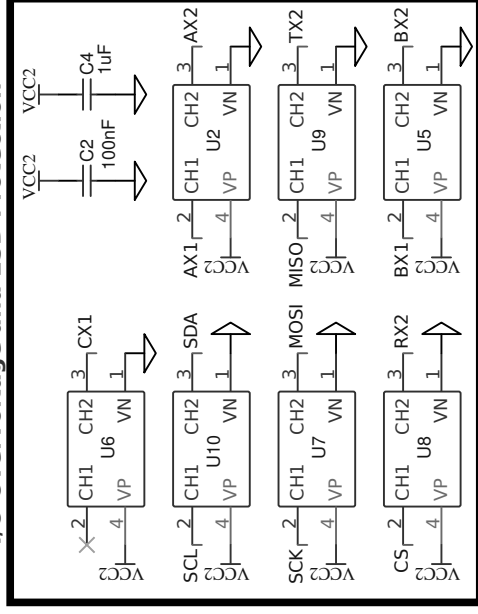
U3 Female Sockets



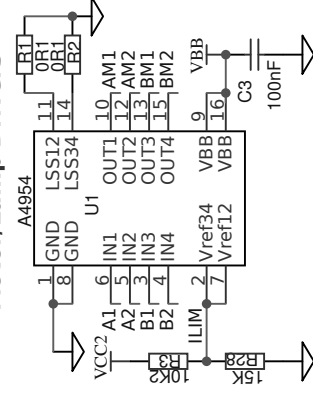
Expansion Connectors



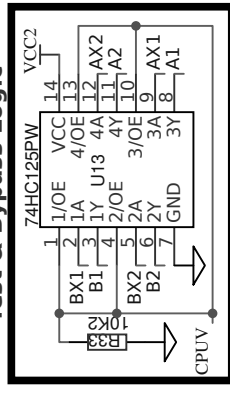
I/O Overvoltage and ESD Protection



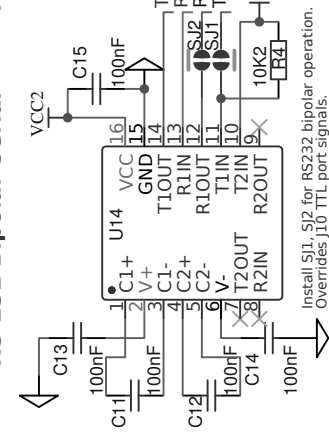
Motor/Lamp Drivers



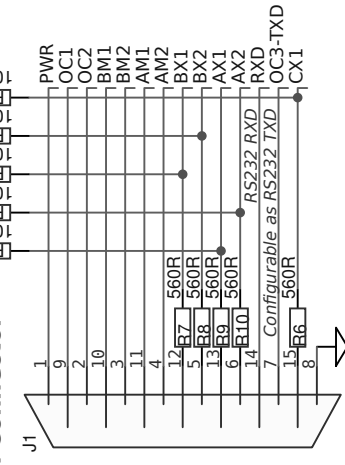
Test & Bypass Logic



RS-232 Bipolar Serial



Main Connector



TITLE:

huVer-ESP32-MK1



REV: 1.4

Date: 2019-03-17 (c) 2019 huVer.tech

Sheet: 1/1

Manufacturing Option

EASYEDA V5.3.14

Drawn By: V. R. Little